

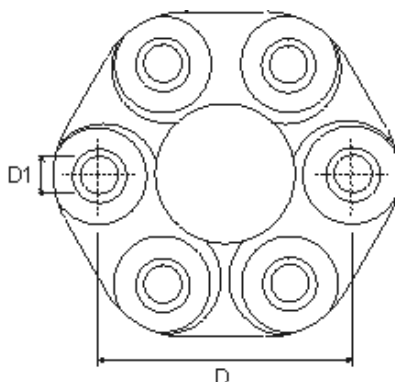
DRIVELINE SERVICES

AUSTRALIA PTY LTD

UNIVERSAL JOINT DIMENSIONAL CATALOGUE SECTION : 1

PAGE:- v

COUPLING – METRIC Only



* Couplings where indicated are assembled with a steel strap. Remove this steel strap after installation.

PCD D	Outside Dia	Inside Dia	Thickness T	Holes No x Dia	Part No	Notes
76.0	107.0	38.0	38.0	8 x 10	RC.BMW.001	BMW 3/5 Series -80
78.0	107.0	41.0	28.0	6 x 10	RC.BMW.002	BMW Nissan
80.0	114.0	40.5	25.7	6 x 10	RC.MER.009	Mercedes
94.0	113.0	46.0	30.0	6 x 12	RC.BMW.004	BMW 5/6/7 Series Auto - 80
96.0				6 x 10	RC.100R231	Nissan Pintara
96.0	130.0	50.0	30.0	6 x 12	RC.JUR.001	BMW/Ford/Jaguar/Holden/Volvo
96.0	130.0	50.0	35.0	6 x 12	RC.JUR.002	Ford/Holden
97.0	133.0	43.0	45.0	6 x 12	RC.BMW.005	BMW 3/5 Series Man - 80
105.0	140.0	56.0	30.0	6 x 12	RC.JUR.004	Ford

TOYOTA Tarago – Fan Shaft Couplings

Part No.	Notes / Suggestions
TO.PC.305P	Petrol – 12mm Pin
TO.PC.305P.1	Petrol – 14mm Pin
TO.PC.306D	Diesel

October 2008